



Flashing LED Border-Enhanced Pedestrian Crossing Warning Sign

Part Numbers: LGS-W11-2-B-30-FYG and LGS-W11-2-B-36-FYG

Description: MUTCD Compliant 30" or 36" W11-2 Flashing LED Border-Enhanced Illuminated Pedestrian Crossing Warning Sign

Application Notes:

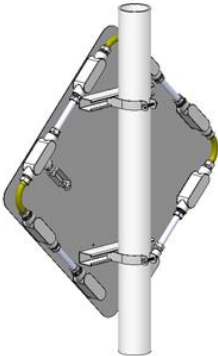
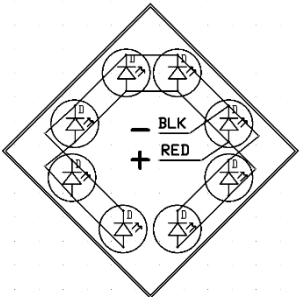
The LGS-W11-2-B-30-FYG and LGS-W11-2-B-36-FYG signs are intended to be placed at, or before a crosswalk. Highly visible up to 1 mile, each sign contains 96 high-intensity LEDs housed in 8 NEC conduit bodies that are embedded into the border. For increased visual awareness to motorists driving in both directions, the W11-2 sign can be installed back-to-back for a total of 4 signs at each crosswalk. The LED signs activate via automatic (passive) pedestrian detection bollards and/or push buttons, or RADS. When activated, the flashing W11-2 sign warns approaching motorists that a pedestrian is in, or about to enter the crosswalk. MUTCD compliant, the Enlighten1™ flash rate operates at a 50% duty cycle and is photosensitive epilepsy safe.

Flashing LED signs are used as an adjunct warning measure to in-roadway warning lights and RRFBs. The W11-2 sign can also connect to a standard DC beacon controller and flash in a wig-wag pattern of 1/2 sec on—1/2 sec off, or other custom flash rate.

Made of durable heavy duty aluminum, the W11-2 sign easily mounts to standard poles with included tamper resistant unistrut bracket. Hardware and poles not included.

Standard MUTCD W11-2 signs are available in 30" x 30" or 36" x 36" with FYG & Yellow color options. Custom signs available upon request.

General Performance Specifications

Parameter	Value	Typical Mounting	Schematic Diagram
Viewing angle	Approx. 20°		
Viewing distance	Up to 1 mile		
Operating temp	0° to 80°C		
Operating voltage	9 VDC to 15 VDC		
DC Current @ 12 VDC	1.3 Amps nominal		
Avg power dissipation	10 Watts nominal		
Luminous intensity	666,000 mcd		
Retro-reflective	Diamond grade		
LED color	Amber		
Background color options	Fluorescent Yellow Green; Yellow		
Mounting	Tamper-resistant unistrut bracket fits any pole type. Poles not included.		

Features/Benefits

- High visibility up to 1 mile
- 96 high-intensity LEDs
- 12 VDC nominal operation
- Simple electrical connections
- Maintenance free operation
- LED modules inside NEC conduit bars
- Heavy duty aluminum
- Easily mounts to poles via tamper resistant unistrut bracket (included)
- Solar, solar wireless and A/C power options



Shown with W16-7pl diagonal down pointed arrow sign