



Smart Crosswalk™
10" Composite Base Plate

Part Number: LGS- SD10-C

Description: In-Roadway Warning Light 10" Composite Base Plate

Features/Benefits:

- Secures to roadway
- Easily installs into pavement
- Maintenance free operation
- Simple electrical connections
- Self-clearing debris free design
- High strength impact resistant composite
- Adaptable to tamper resistant hardware

Application Notes:

The SD10-C mounting base plate is used to secure and protect In Roadway Warning Lights (IRWL). The dimensions of the base plate are approximately 10" diameter and 1 1/2" depth. The shallow depth prevents penetration into the lower roadbed thereby preserving the structural integrity of the roadway. A two-part epoxy compound is used to permanently embed the base plate into the roadway.

The base plate interior cavity is designed to contain the wiring cable for the IRWL fixture. An elastomer O-ring found on the light fixture fits tightly into the horseshoe shaped base plate, creating a sealed interface between the light fixture and the base plate.

The IRWL fixture is fastened to the base plate with stainless steel socket head 1/4"-20 screws that are lubricated in the factory with thread lock, anti-seize compound.

The base plate can be installed directly into asphalt or concrete roadbeds. The electrical conductors are embedded into the road bed via direct burial or conduit.

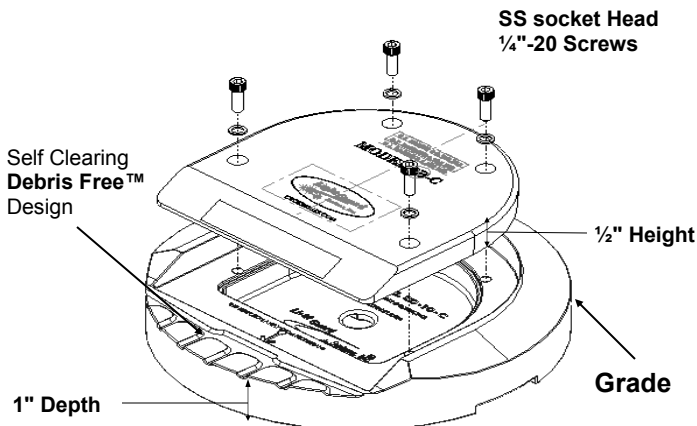
Compliant to FHWA Standards: MUTCD Chapter 4, Section N.



General Performance Specifications

Parameter	Value
Operating Temp	-20°C to 80°C
Material	High strength composite
Color	Black
Size	9 7/8" diameter, 1 3/8" deep

Street Mounting



Internal Wiring Diagram

