



Features/Benefits:

- Battery back-up
- Lightning surge protection
- Lockable weatherproof cabinet
- Internal branch circuit protection
- 120 VAC single phase or 240 VAC two phase
- Easily mounts to poles, pads, or other Surfaces
- Upgrade kits available

Smart Crosswalk™ Power Control Unit

Part Number: LGS-PCU-AC

Description: Advanced AC PCU with Programmable Interface

Application Notes:

The power control unit (PCU) accepts call signal inputs from either a manual pedestrian push button device or automatic pedestrian activated detectors (Bollards). The Enlighten1 flash rate is activated to visually alert motorists to the presence of pedestrians entering the crosswalk. The runtime is factory preset to 20 (twenty) seconds and is field adjustable to allow pedestrians adequate time to cross the street.

The programmable control unit user interface has a 16 digit keypad, with a 2 line-20 character liquid crystal display. LightGuard Systems’ proprietary software provides effective reliable operation allowing the user to make adjustments to the system parameters.

The microprocessor interface allows for multiple option selections, data collection, and preset programming. PCU memory contains a limited number (approximately 65,000) of “date/time stamped” activation counts, diagnostic and power-up events. The PCU is capable of data transfer and remote communication via the PCU RS232 serial port.

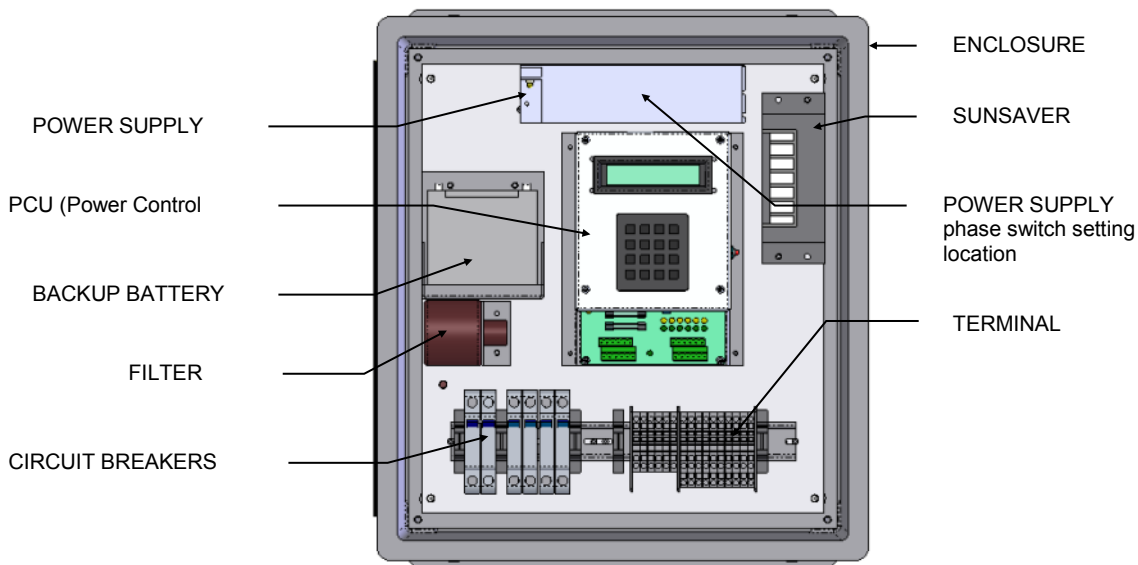
Factory installed battery backup ensures continual system function during power outages. The 12 volt DC sealed lead-acid battery is rated at 12 Ah @ 20 hour rate ensuring system operation.

Available with multiple upgrade kits for AC or DC beacons, constant AC output, constant DC output, and audible notification.

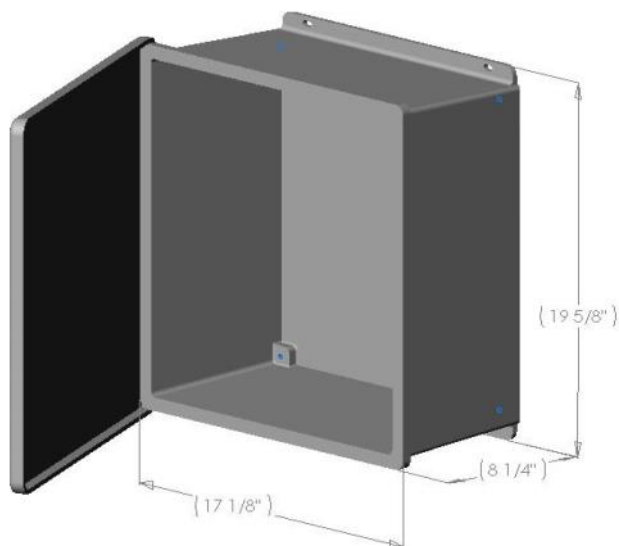
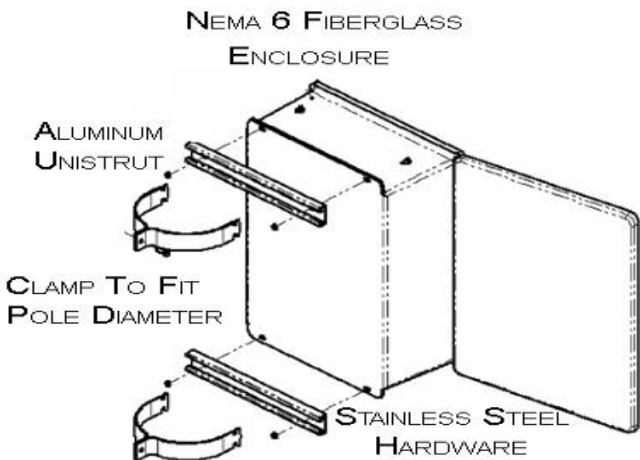


General Performance Specifications

Parameter	Value
Power Consumption	1 Watt (in standby mode)
Operating Temp	0°C to 50°C
Input Operating Voltage	120 VAC or 240 VAC
Input Current Protection	5A Fast acting (2 pole circuit breaker)
Input Surge Suppression	3000 Joules per pole, 100,000 Amps
Output Operating Voltage	13.5 VDC to 15VDC
Output DC Load Max	10 Amps
Enclosure Type	NEMA 6 Fiberglass w/padlock latch
Enclosure Color	White (standard)
Enclosure Size	18” x 16” x 8”
Battery Backup	12 AH SLA



Pole Mounting Enclosure With Hardware



Internal Wiring Diagram

