



Smart Crosswalk™
AC-ECP

Part Number: LGS-ECP-2

Description: Basic Level LGS Control Panel – Custom Applications Only

Features/Benefits:

- 120 VAC single phase supply
- Easily mounts to poles, pads and other surfaces
- Simple electrical connections
- Internal branch circuit protection
- High reliability
- Operates with multiple inputs
- Lockable weatherproof cabinet

Application Notes:

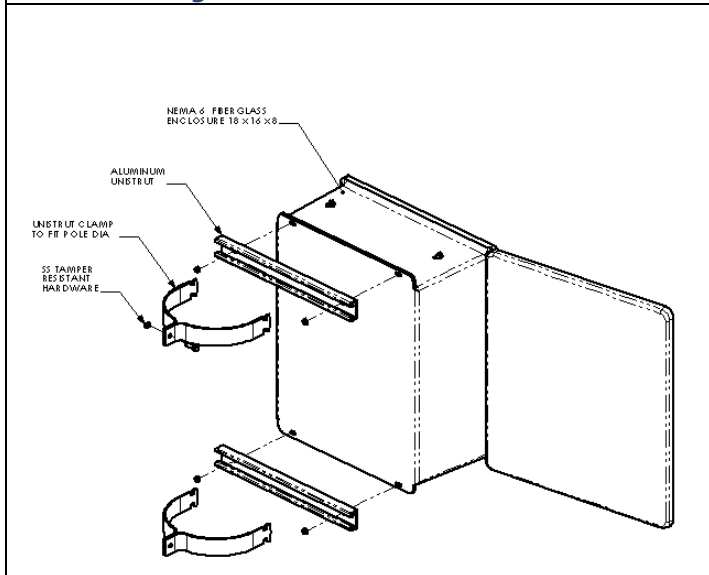
The ECP-2 controller contains two separate 12 VDC output circuits. The first output shall be factory preset to 20 (twenty) seconds and shall be field adjustable to be between 1-100 (one – one hundred) seconds, to allow adequate time for pedestrians to cross. Run time shall extend, if another call signal input is received while the system is in the run mode; the elapsed time function shall be reset to 0 (zero), and the count starts over again, which has the effect of extending the run time of the device. The second output has a constant-on 12 VDC current which can be used to power other devices.

General Performance Specifications

Parameter	Value
Power consumption	1 Watt in standby mode
Operating temp	0°C to 50°C
Input operating voltage	120 VAC
Input current protection	5 Amps fast acting (2 pole circuit breaker)
Output operating voltage	13.5 VDC nominal
Output DC load maximum	5 Amps total; 5 Amps max per output
Enclosure type	NEMA 6 Fiberglass w/padlock latch
Enclosure color	White (standard)
Enclosure size	16" x 14" x 8"



Pole Mounting



Internal Wiring Diagram

