



Smart Crosswalk™ AC-ECP SERIES

LightGuard Systems Part Number: LGS-ECP-1

Description: Basic Level Controller Panel & Cabinet

Application Notes:

The ECP-1 Basic controller accepts call signal inputs from manual push buttons and/or automatic activation devices (Bollards) to activate the flash rate and the devices. All user INPUT connections are made directly to the Flashing Unit Controller sub-assembly. This system is NOT field programmable. The run time is factory preset to 20 (twenty) seconds and shall be field adjustable to between 1-100 (one-hundred) seconds, to allow adequate time for pedestrians to cross. Run time shall extend if another call signal input is received while the system is in the run mode; the elapsed time function shall be reset to zero (0), and the count starts over again, which has the effect of extending the run time of the device.

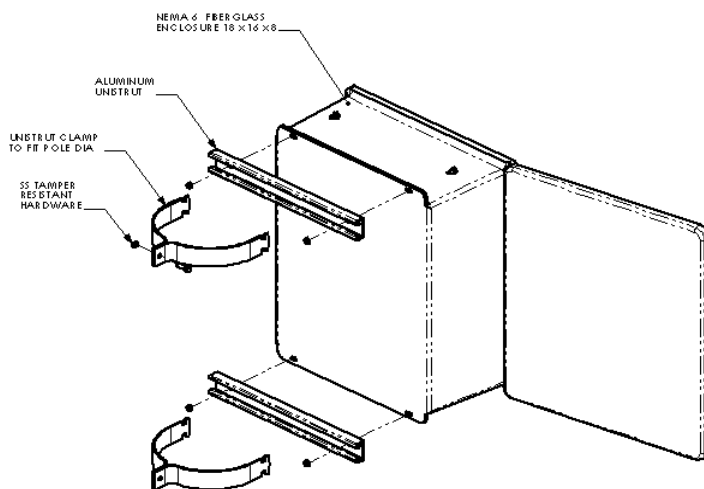
Features/Benefits:

- 120 VAC single phase input
- Easily mounts to poles, pads and other surfaces
- Simple electrical connections
- High reliability
- Internal branch circuit protection
- Lockable weatherproof cabinet

General Performance Specifications	
Parameter	Value
Power consumption	1 Watt (standby)
Operating Temp	0° to 50°C
Input Operating Voltage	120 VAC
Input Current Protection	5 Amps (2 pole)
Output Operating Voltage	13.5VDC nominal
Output DC Load	5 Amps max
Output DC Power	75 Watts max
Enclosure	NEMA 6 Fiberglass, Padlock Latch, White, 16"x 14" x 8"



Pole Mounting



Internal Wiring

