



Features/Benefits

- Made in USA
- Maintenance free operation
- Corrosion resistant coating
- Debris Free™ self clearing design
- High strength case hardened steel
- Easily installed in asphalt or concrete

Smart Crosswalk™ Snow Plow Blade Resistant Base Plate

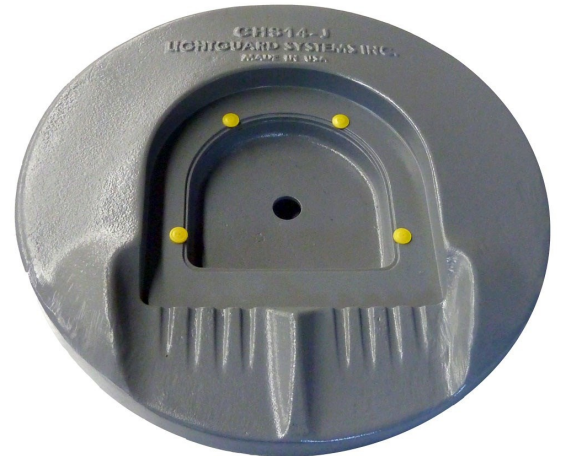
Part Number: LGS- CHS-14-USA

Description: 14" Case Hardened Steel Snow Plow Blade Resistant Base Plate (MADE IN THE USA)

Application Notes:

The CHS-14-USA steel base plate is embedded into the roadway to secure the In-Roadway Warning Light (IRWL) fixture. The case hardened steel base plate is manufactured with two coats of corrosion resistant steel primer. Two part epoxy is used to permanently secure the base plate into the roadway. The light fixture fastens to the base plate with stainless steel socket head 1/4"-20 screws that are lubricated in the factory with thread lock, anti-seize compound.

The shallow depth of the base plate ensures that the sub-surface of the road base is not compromised. The top outer edge of the base plate is flush with the road surface and the light fixture projects 1/2" above the road surface. The steel base plate is designed for installation in asphalt or concrete roadbeds located in "snow country" or heavy duty environments. The base plate interior cavity is designed to contain the cable wiring for the light fixture. The electrical conductors are installed through direct burial or inside conduit. This base plate is compatible with all previous LightGuard Systems light fixture models.

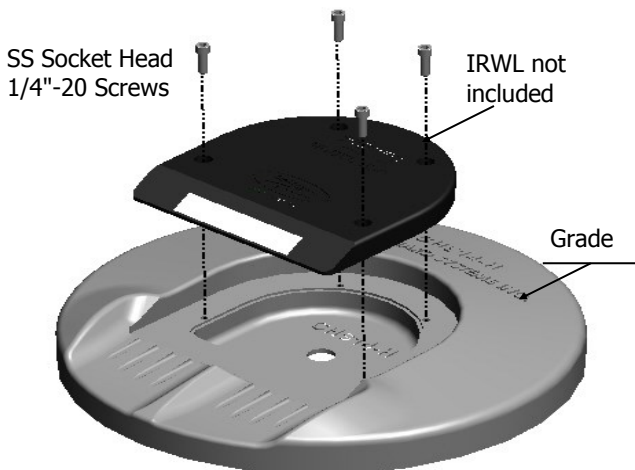


General Performance Specifications

Parameter	Value
Operating Temp	-20° to 80°C
Material	High strength case hardened steel
Color	Gray (custom colors available)
Size	13 3/4" diameter, 1 7/8" deep
Weight	25 lbs



Street Mounting



Typical Base Plate Internal Wiring Diagram

