



Smart Crosswalk™ Dual System Power Control Unit (PCU)

LightGuard Systems Part Number: LGS-DUAL-ZONE-PCU-AC

Description: Dual Zone AC PCU with Programmable Interface

Application Notes: A factory installed kit converts our LGS Advanced PCU into a dual zone PCU with two independent outputs. User interface allows for multiple option selection and preset programming. Two separate and independent crosswalks can be controlled with the dual zone PCU.

The dual zone PCU accepts call signal inputs from either manual push button activation or automatic activation (bollards). The Enlighten1 flash rate is activated to visually alert motorists to the presence of pedestrians entering the crosswalk. The runtime is factory preset to 20 (twenty) seconds and is field adjustable between 1—99 (one - ninety nine) seconds, to allow pedestrians adequate time to cross the street.

The programmable PCU user interface has a keypad with a 2 line-20 character liquid crystal display. LightGuard Systems proprietary software program provides effective reliable operation allowing the user to make simple adjustments to the system parameters. Data collection for information such as stamped time/date for crossing events and frequency of activation, provide expanded capabilities.

Battery backup ensures continual system function during power outages. The 12 volt DC sealed lead-acid battery is rated at 12 AH to ensure continual system operation.

* Available with multiple upgrade kits for AC or DC beacons, constant AC/DC output and audible notification.

Features/Benefits:

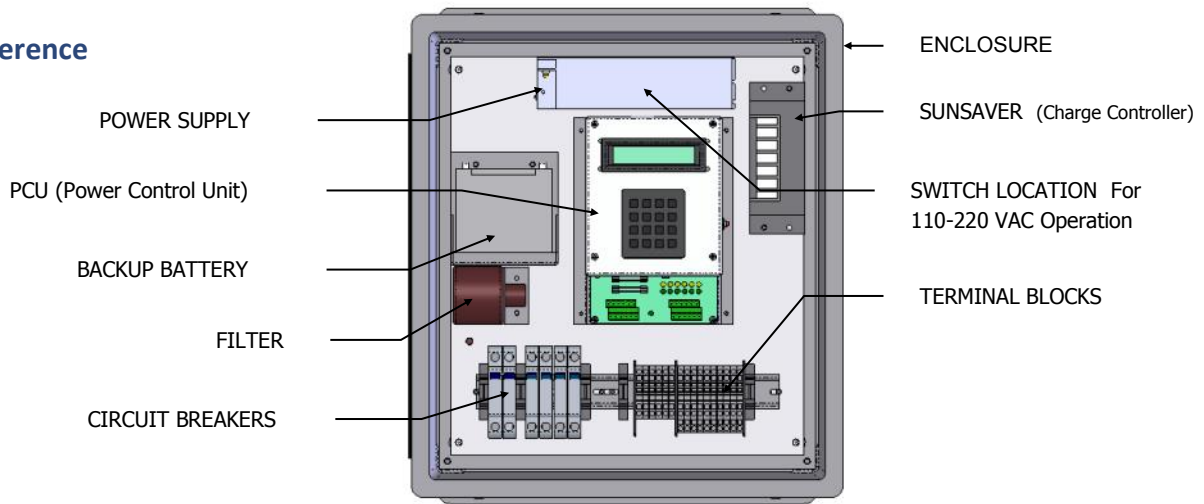
- Controls—two independent/separate crosswalks
- Lightning surge protection
- Internal branch circuit protection
- 12 AH battery back-Up
- Simple electrical connections
- Either 120 VAC or 240 VAC supply
- Tracking data — pedestrian activation and cross time duration
- Available with upgrade kits (beacons, sounds)



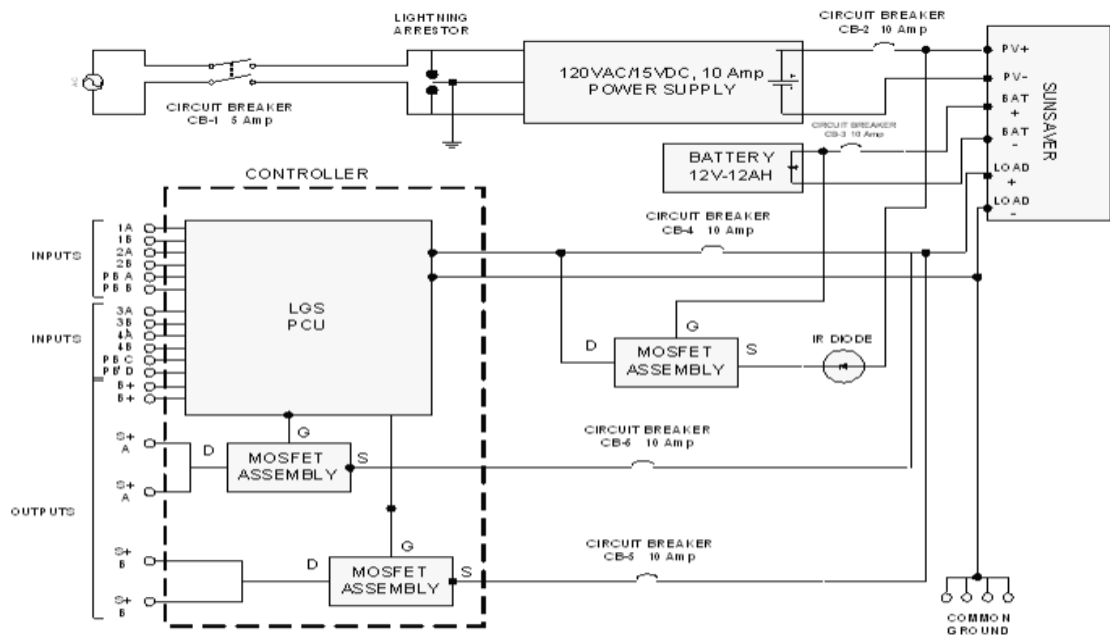
General Performance Specifications

Parameter	Value
Power Consumption	1 Watt (in standby mode)
Operating Temp	0°C to 50°C
Input Operating Voltage	120 VAC or 240 VAC
Input Current Protection	5A Fast acting (2 pole circuit breaker)
Input Surge Suppression	3000 Joules per pole, 100,000 Amps
Output Operating Voltage	13.5 VDC to 15 VDC
Output DC Load maximum	10 Amps
Enclosure Type	NEMA 6 Fiberglass w/padlock latch
Enclosure Color	White (Standard)
Enclosure Size	18" x 16" x 8"
Battery Backup	12 AH SLA

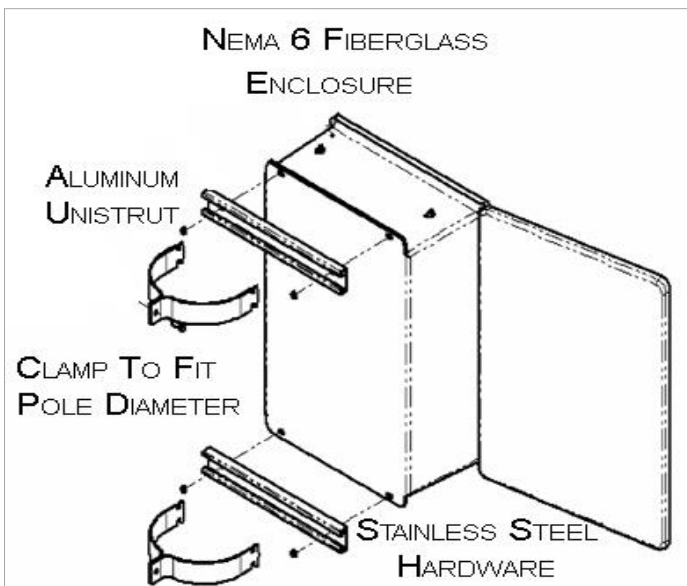
Interior reference Drawing



Internal Wiring Diagram



Pole Mounting



Fiberglass Enclosure

