



Smart Crosswalk™ AC-ECP SERIES

LightGuard Systems Part Number: LGS-ECP-1

Description: Basic Level Controller Panel & Cabinet

Application Notes:

The ECP-1 Basic controller accepts call signal inputs from manual push buttons and/or automatic activation devices (Bollards) to activate the flash rate and the devices. All user INPUT connections are made directly to the Flashing Unit Controller sub-assembly. This system is NOT field programmable. The run time is factory preset to 20 (twenty) seconds and shall be field adjustable to between 1-100 (one–one hundred) seconds, to allow adequate time for pedestrians to cross. Run time shall extend if another call signal input is received while the system is in the run mode; the elapsed time function shall be reset to zero (0), and the count starts over again, which has the effect of extending the run time of the device.

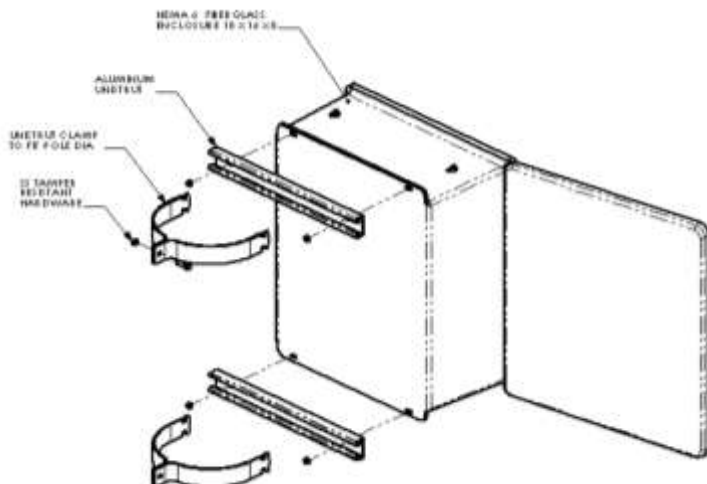
Features/Benefits:

- 120 VAC single phase input
- Easily mounts to poles, pads and other surfaces
- Simple electrical connections
- High reliability
- Internal branch circuit protection
- Lockable weatherproof cabinet

General Performance Specifications	
Parameter	Value
Power consumption	1 Watt (standby)
Operating Temp	0° to 50°C
Input Operating Voltage	120 VAC
Input Current Protection	5 Amps (2 pole)
Output Operating Voltage	13.5VDC nominal
Output DC Load	5 Amps max
Output DC Power	75 Watts max
Enclosure	NEMA 6 Fiberglass, Padlock Latch, White, 16"x 14" x 8"



Pole Mounting



Internal Wiring

